

# MINNICH

M-BOX



## MINNICH MANUFACTURING

1444 ST RT 42  
Mansfield, OH 44903

## CONTACT

Phone: (419)-903-0010  
Email: [sales@minnich-mfg.com](mailto:sales@minnich-mfg.com)

## TABLE OF CONTENTS

---

Chapter 1-Introduction.....	2
General Warnings.....	3
General Safety.....	4
General Specifications.....	10
Safety Decal Location.....	11
Chapter 2-.....	14
Operation Instructions.....	14
Notes.....	15
Warranty.....	16
Parts Ordering Online.....	17

### **NOTICE**

Your new Minnich M-BOX was carefully designed and manufactured to give years of dependable service. To keep it running efficiently, read the instructions in this manual thoroughly. It contains detailed descriptions and instructions for the efficient operation and maintenance of your High Cycle Generator. Each section is clearly identified so you can easily find the information that you need. All instructions are recommended procedures only.

### **NOTICE**

If there are any questions regarding the machine or its application which are not covered in this manual or in other literature accompanying this unit, please contact your Minnich Dealer or Minnich Manufacturing at 419-903-0010 or [sales@minnich-mfg.com](mailto:sales@minnich-mfg.com)

### **NOTICE**

It is Minnich's policy to constantly strive to improve our products. The information, specifications, and illustrations in this publication are based on the information in effect at the same time as approval for printing and publishing. Minnich therefore reserves the right to make changes in design and improvements whenever it is believed the efficiency of the machine which has been shipped or curing any obligation to incorporate such improvements in any machine which has been shipped or is in service. It is recommended that users contact Minnich or a Minnich Dealer for latest revisions.

**⚠ WARNING**

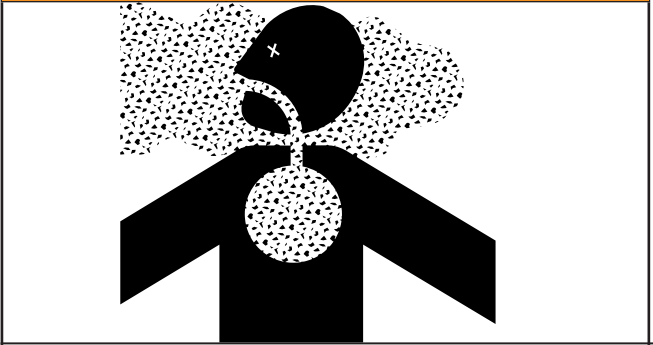
**CALIFORNIA PROPOSITION 65**

Engine exhaust and some of its constituents, and some dust created by power sanding, sawing, grinding, drilling and other construction activities contains chemicals known to the State of California to cause cancer, birth defects and other reproductive harm. Some examples of these chemicals are:

- Lead from lead-based paints.
- Crystalline silica from bricks.
- Arsenic and chromium from chemically treated lumbar.

Your risk from these exposures varies, depending on how often you do this type of work. To reduce your exposure to these chemicals: ALWAYS work in a well ventilated area, and work with improved safety equipment, such as dust masks that are specifically designed to filter out microscopic particles.

**⚠ WARNING**



**SILICOSIS WARNING**

Grinding/cutting/drilling of masonry, concrete, metal and other materials with silica in their composition may give off dust or mist containing crystalline silica. Silica is a basic components of sand, quartz, brick clay, granite and numerous other minerals and rocks. Repeated and/or substantial inhalation of airborne crystalline silica can cause serious or fatal respiratory disease, including silicosis. In addition, California and some authorities have listed repairable crystalline silica as a substance known to cause cancer. When cutting such materials, always follow the respiratory precautions mentioned above.

**⚠ WARNING**

**RESPIRATORY HAZARDS**



Grinding/cutting/drilling of masonry, concrete, metal and fumes containing chemicals known to cause serious or fatal injury or illness, such as respiratory disease, cancer, birth defects or other reproduction harm, if you are unfamiliar with the risks associated with the particular process and/or material being cut or the composition of the tool being used, review the material safety data sheet and/or consult your employer, the material manufacturer/supplier, governmental agencies such as OSHA and NIOSH and other sources on hazardous materials. California and some other authorities, for instance, have published lists of substances known to cause cancer, reproductive toxicity or other harmful effects.

Control dust, mist and fumes at the source where possible. In this regard use good work practices and follow the recommendations of the manufactures of suppliers, OSHA/NIOSH, and occupational and trade associations. Water should be used for dust suppression when wet cutting is feasible. When the hazards from inhalation of dust, mist and fumes cannot be eliminated, the operator and any bystanders should always wear a respirator approved by NIOSH/MSHA for the materials being used.

## GENERAL SAFETY

Do not operate or service the equipment before reading the entire manual. Safety precautions should be followed at all times when operating this equipment. Failure to read and understand the safety messages and operating instructions could result in injury to yourself and others.

This operation manual has been developed to provide complete instruction for the safe and efficient operation. Refer to the engine manufactures instructions for data relative to its safe operation. Before using, ensure that the operation individual has read and understood all instructions in the manual. The surrounding environment and you, could be damaged if you do not follow instructions.

### SAFETY MESSAGES

The four safety messages shown below will inform you about potential hazards that could injure you or others. The safety messages specifically address the level of exposure to the operator and are preceded by one of four words: **DANGER**, **WARNING**, **NOTICE** or **NOTICE**.

#### **DANGER**

Indicates a hazardous situation which, if not avoided, **WILL** result in **DEATH** or **SERIOUS INJURY**

#### **WARNING**

Indicates a hazardous situation which, if not avoided, **COULD** result in **DEATH** or **SERIOUS INJURY**

#### **CAUTION**



Indicates a hazardous situation which, if not avoided, **COULD** result in **MINOR** or **MODERATE INJURY**

#### **NOTICE**

Addresses practices not related to personal injury

### SAFETY SYMBOLS

Potential hazards associated with the operation of this equipment will be referenced with hazards symbols which may appear throughout this manual in conjunction with safety messages.

SYMBOL	SAFETY HAZARD
	Factory Setting
	Electrocution/Shock Hazard

#### **WARNING**

**DO NOT USE TOOL IF IT IS IN NEED OF SERVICE!**

## GENERAL SAFETY

### ⚠ CAUTION

△ NEVER operate this equipment without proper protective clothing, shatter proof glasses, respirator protection, hearing protection, steel-toes boots and other protective devices required by the job or city and state regulations.



△ Never operate this equipment when not feeling well due to fatigue, illness or when under medication.



△ NEVER operate this equipment under the influence of drugs or alcohol.



△ ALWAYS check the equipment for loosened threads or bolts before starting.

△ NEVER operate around corrosive chemicals or water containing toxic substances. These fluids could create serious health and environmental hazards. Contact local authorities for assistance.

△ DO NOT use the equipment for any purpose other than its intended purpose or applications.

### NOTICE

△ This equipment should only be operated by trained and qualified personnel 18 years of age and older.

△ This equipment is for industrial use only. Whenever necessary, replace nameplate, operation and safety decals when they become difficult to read.

△ Manufacturer does not assume responsibility for any accident due to equipment modifications. Unauthorized equipment modifications will void all warranties. Any modification which it could lead to change in the original characteristics of the machine should be made only by the manufacturer who shall confirm that the machine is in comfortability

with appropriate safety regulations.

△ Never use accessories or attachments that are not recommended by Minnich for the equipment. Damage to the equipment and/or injury to user may result.

△ Always know the location of the nearest fire extinguisher.



△ ALWAYS know the location of the nearest first aid kit.



△ ALWAYS know the location of the nearest phone or keep a phone on the job site. Also, know the phone numbers of the nearest ambulance, doctor and fire department. This information will be invaluable in the case of an emergency.



### ⚠ DANGER

△ NEVER operate the equipment in an explosive atmosphere, near combustible materials, or near flammable or low flash point fluids. An explosion or fire could result causing severe bodily harm or even death.



### ⚠ WARNING

△ NEVER disconnect any emergency or safety devices. These devices are intended for operator safety. Disconnection of these devices can cause severe injury, bodily harm or even death. Disconnection of any of these will void all warranties.

△ NEVER operate equipment with the covers or guards removed. Keep fingers, hands, hair and clothing away from all moving parts to prevent injury. Wear clothing that will not likely be caught in the equipment or snag on any moving parts.

### ⚠ CAUTION

△ ALWAYS be sure the operator is familiar with the proper safety precautions and operating techniques before using.

△ NEVER leave the machine unattended. Turn off when unattended

## GENERAL SAFETY

- △ DO NOT expose vibrator to rain.
- △ DO NOT use vibrator motor in damp or wet locations without proper electrical circuits.
- △ DO NOT immerse the motor part in concrete.
- △ ALWAYS keep clear of rotating or moving parts while operating.
- △ NEVER leave the machine unattended while running
- △ ALWAYS disconnect the motor from the power source when not in use, before servicing, and when changing flexible shafting and vibrator heads.

- △ Allow the machine to cool before servicing. Contact with hot components can cause serious burns.



- △ Before Each use, ALWAYS check the motor to make certain that there are no damaged parts and that all parts function properly. If any damage or malfunctioning parts are found, have them repaired or replaced by an authorized service facility.

## NOTICE

- △ ALWAYS secure forms. Make sure the form work is well made and braced to withstand the stresses made by vibration.
- △ ALWAYS keep vibrator motor clean for better and safer operation.
- △ ALWAYS store equipment properly when it is not being used. Equipment should be stored in a clean, dry location out of reach of children and unauthorized personnel.
- △ Use only factory authorized replacement parts.
- △ Store idle vibrator motor. When not in use, motor should be stored in a dry, safe storage area.

## ELECTRICAL SAFETY

### ⚠ CAUTION

- △ Power tools must match the outlet. NEVER modify the plug in any way. DO NOT use the adapter plugs with earthed (grounded) power tools. Unmodified plugs and matching outlets will reduce risk of electric shock.
- △ Avoid contact with earthed or grounded surfaces such as pipes, radiators ranges and refrigerators. There is an increase risk of electric shock if your body is earthed or grounded.
- △ DO NOT expose power tools to rain or wet conditions. Water entering a power tool will increase risk of electric shock.
- △ DO NOT abuse power cord. NEVER use the cord for carrying, pulling or unplugging the power tool. Keep cord away from heat, oil sharp edges or moving parts. Damaged or entangled cords increase the risk of electric shock.
- △ When operating a power tool outside use an extension cord suitable for outdoor use. Use of a cord suitable for outdoor use reduces the risk of electric shock.
- △ This unit is double-insulated. The double insulation between the electric-conducting part and the outside frame makes grounding unnecessary. However, if parts are replaced with wrong parts or assembled incorrectly, the machine may become unsafe to operate. Use only Minnich Recommended replacement parts.
- △ When applicable, use a protection wiring device such as a Ground Fault Circuit Interrupter, for the protection of personnel.
- △ Operate electric motor only at the specific voltage indicated on the nameplate.
- △ DO NOT spray water onto electric motor.
- △ DO NOT yank the cord to disconnect it from the receptacle. Grasp the plug itself to disconnect it.
- △ ALWAYS make sure the ON/OFF switch is in the OFF position when not in use, and before inserting the power plug into an AC replacement.
- △ Before plugging the motor into a power source, ALWAYS remove any wrenches or other tools from the motor, shaft, and head that were used for assembly.

## GENERAL SAFETY

### POWER CORD/CABLE SAFETY

#### **⚠ DANGER**

- △ ALWAYS use a grounded 3-wire extension cord that has a 3-prong grounding plug, and a 3-pole receptacle that accepts the plug on the concrete vibrator motor. **DO NOT REMOVE THE GROUNDING PIN FROM THE PLUG!**
- △ NEVER let power cords or cables lay in water.
- △ NEVER use damaged or worn cables or cords when connecting equipment to generator. Inspect for cuts in the insulation.
- △ NEVER grab or touch a live power cord or cable with wet hands. The possibility exists of electrical shock, electrocution or death
- △ Make sure power cables are securely connected. Incorrect connections may cause electrical shock and damage to the machine.



#### **⚠ CAUTION**

- △ Ensure that cables and cords will not be tripped over.

#### **NOTICE**

- △ ALWAYS make certain that proper power or extension cord has been selected for the job.
- △ Use only extension cords that are intended for outdoor use and so marked
- △ Use only the gauge wire and length of cord recommended for the motor size. If in doubt, go to the next heavier gauge. (The smaller the gauge the heavier the cord.)

### POWER TOOL USE AND CARE

- △ DO NOT force the power tool. Use the correct power tool for your application. The correct power tool will do the job better at the rate for which it was designed.
- △ DO NOT use the power tool if the switch does not turn it on and off. Any power tool that cannot be controlled with the switch is dangerous and must be repaired.
- △ Disconnect the plug from the power cord source and/or the battery pack from the power tool before making any adjustments, changing accessories, or storing power tools. Such preventative safety measures reduce the risk of starting the power tool accidentally.

- △ Store idle power tools out of reach of children and do not allow persons unfamiliar with the power tool or these instructions to operate the power tool. Power tools are dangerous in the hands of untrained users.
- △ Maintain power tools. Check for misalignment or binding of moving parts, breakage of parts and any other condition that may affect the power tools operation. If damaged, have the power tools repaired before use. Many accidents are caused by poorly maintained power tools.
- △ Keep cutting tools sharp and clean. Properly maintained cutting tools with sharp cutting edges are less likely to blind and easier to control.
- △ Use the power tool, accessories and tool bits etc. In accordance with these instructions, taking into account the working conditions and the work to be performed. Use of the power tool for operations different from those intended could result in a hazardous situation

### SERVICE

- △ Have your power tool serviced by a qualified repair person using identical replacement parts. This will ensure the safety of the power tool is maintained.

### ENVIRONMENTAL SAFETY/DECOMMISSIONING

#### **NOTICE**

- △ Contact your country department of Public Works or recycling agency in your area and arrange for proper disposal of any electrical components, waste or oil associated with this equipment.



### NOTICE

Decommissioning is a controlled process used to safely retire a piece of equipment that is no longer serviceable. If the equipment poses an unacceptable and unrepairable safety risk due to wear or damage or is no longer cost effective to maintain (beyond life-cycle reliability) and is to be decommissioned (demolition and dismantlement), be sure to follow rules below.

- △ ALWAYS observe all applicable compulsory regulations relevant to environmental protection, especially fuel storage, the handling of hazardous substances, and the wearing of protective clothing and equipment. Instruct the user as a necessary, or, as the user, request this information and training.
- △ ALWAYS Dispose of hazardous waste properly. Examples of potentially hazardous waste include used motor oil, fuel, and fuel filters.
- △ DO NOT use food or plastic containers to dispose hazardous waste

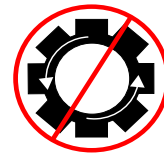
### ⚠ WARNING

**DO NOT USE TOOL IF IT IS IN NEED OF SERVICE!**

- △ When the life cycle of this equipment is over, remove battery (if equip) and bring to appropriate facility for lead reclamation. Use safety precautions when handling batteries that contain sulfuric acid.
- △ When the life cycle of this equipment is over, it is recommended that the unit frame and all other metal parts be sent to a recycling center.  
  
Metal recycling involves the collection of metal from discarded products and its transformation into raw materials to use in many Manufacturing a new product.  
  
Recyclers and manufactures alike promote the process of recycling center promotes energy cost savings.
- △ Fix damage to machine and replace any broken parts immediately.
- △ ALWAYS store equipment properly when it is not being used. Equipment should be stored in a clean, dry location out of the reach of children and unauthorized personnel.

### ⚠ CAUTION

△ NEVER tamper with the factory settings of the engine or engine governor. Damage to the engine or equipment can result in operation in speed ranges above the maximum allowability.





## GENERAL SAFETY

### PERSONAL SAFETY

- △ Stay alert, watch what you are doing, and use common sense when operating the machine.
- △ DO NOT use the tool while tired or under the influence of drugs, alcohol, or medication. A moment of inattention while operating power tools may result in serious personal injury or death.
- △ Dress properly. DO NOT wear loose clothing or jewelry. Tie up long hair. Keep your hair, clothing and gloves away from moving parts. Loose clothes, jewelery, or long hair can be caught in moving parts.
- △ DO NOT overreach. Keep proper footing and balance at all times. Proper footing and balance enables better control in unexpected situations.

### SERVICE

- △ Tool service must be preformed only by qualified repair personnel. Service or maintained preformed by unqualified personnel could result in injury or death
- △ When servicing a tool, use only identical replacement parts. Use of unauthorized parts may create a risk of injury or death.

### NOTICE

To find the latest revision of this publication, visit our website at: [www.minnich-mfg.com](http://www.minnich-mfg.com)

### NOTICE

THIS MANUAL MUST ACCOMPANY THE EQUIPMENT AT ALL TIMES.

### NOTICE

Specifications and part numbers are subject to change without notice.

### ELECTRICAL SAFETY

#### ⚠ DANGER

- △ Turn generator OFF before preforming maintenance on the generator or making contact with the output receptables.
- △ NEVER insert any objects into the output receptables during operation. This is extremely dangerous. The possibility excists of electrical shock, Electrocutation or death.

### GROUNDING SAFETY

#### ⚠ DANGER

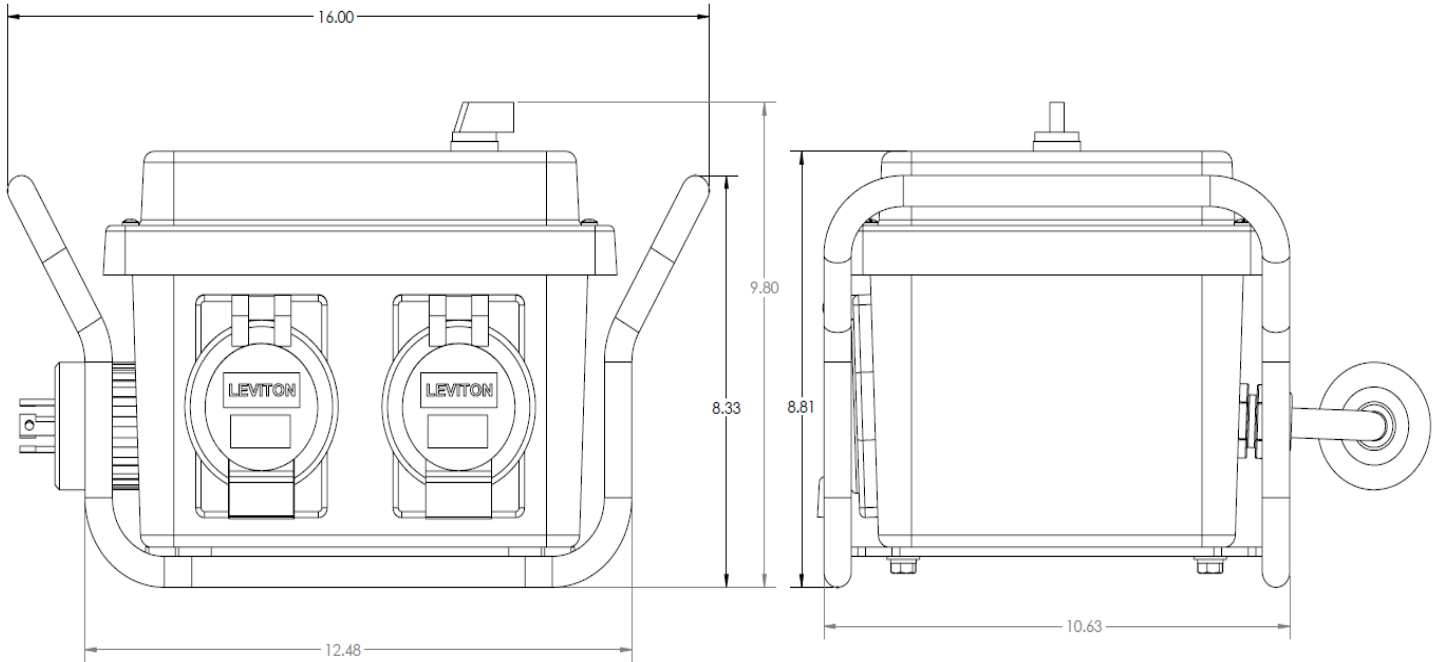
- △ ALWAYS make sure that electrical circuits are properly grounded to a suitable earth ground (ground rod) per the National Electrical Code (NEC) and local codes before operating generator. Serve injury or death by electricution can result from operatinf an ungrounded generator.
- △ NEVER use gas piping as an electrical ground.

#### ⚠ DANGER



Electric shock can occur when vibrators are used. Pay close attention to handling when operating vibrators and always use rubber boots and gloves to insulate the body from a short circuit.

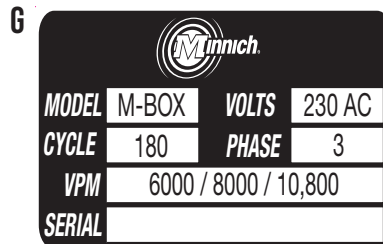
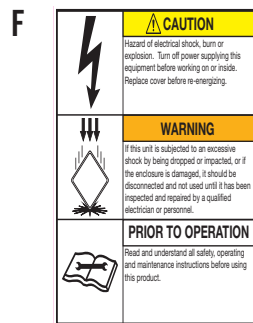
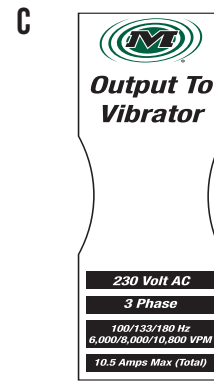
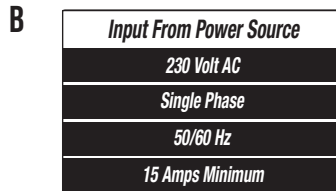
**M-BOX**



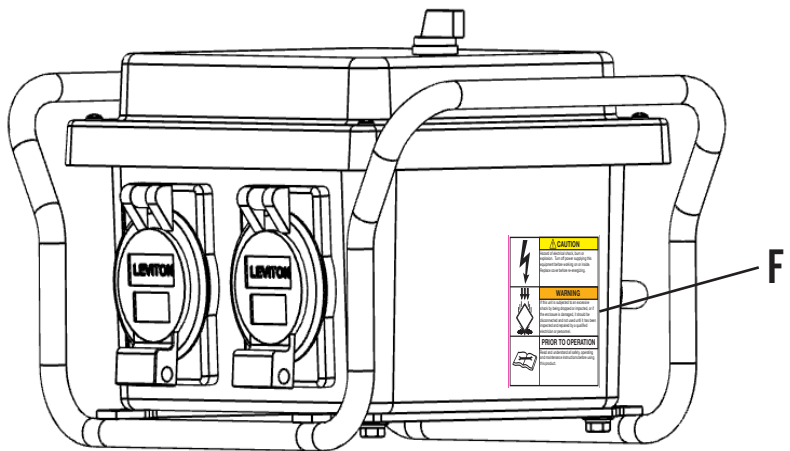
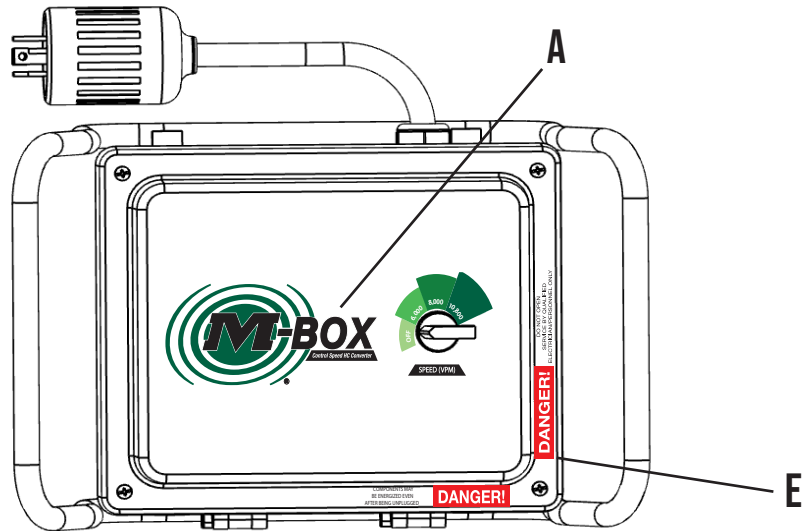
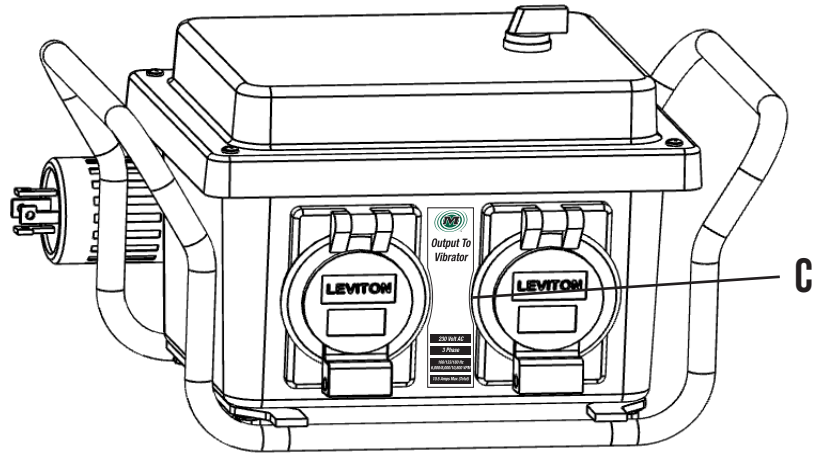
	<b>INPUT SOURCE</b>	<b>OUTPUT SOURCE</b>
Volts	230	230
Phase	Single	Three
Hertz	50/60 Hz	6,000 VPM 100Hz 8,000 VPM 133Hz 10,000 VPM 180Hz 10,800 VPM
Amps	15 Minimum	10.5 Maximum

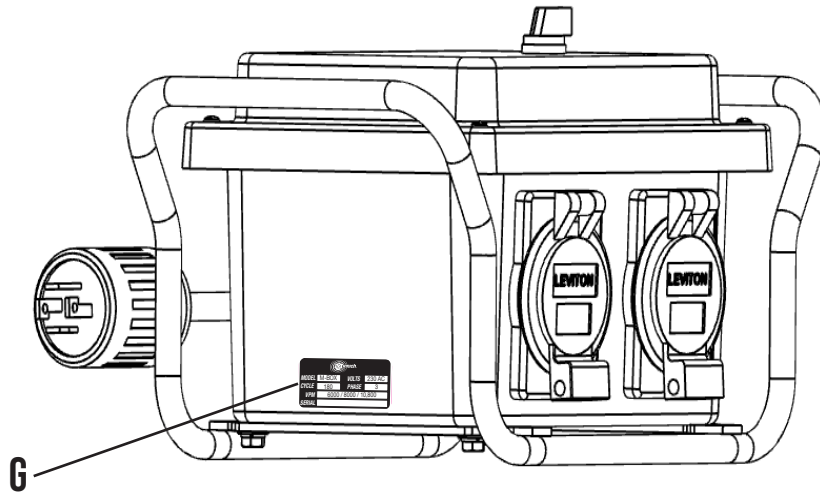
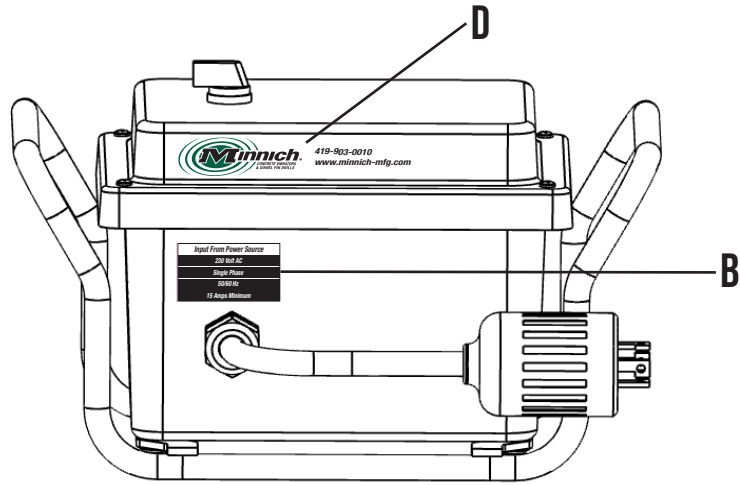
# NOTICE

All safety labels on Minnich Manufacturing units have been carefully placed so they can be easily seen at all times. There are several different types of labels on the units. Always keep these warnings free of dirt, concrete, or anything else that restricts visibility. Never remove the labels for any reason. If the label on your machine become worn or in any way difficult to read, call our parts department for replacements.



# SAFETY DECAL LOCATION





## OPERATION INSTRUCTIONS

### STARTING PROCEDURES

- Δ Make sure M-Box on/off switch is in the OFF position
- Δ Make sure vibrator switch is in the OFF position
- Δ Check rubber seal covers on the vibrator plugs
- Δ Extension cords before plugging into the box.
- Δ Select the desired Speed (see figure 1)
- Δ Turn on vibrators individually at switch
- Δ The M-Box will run both vibrators to the same speed.

### SHUT-DOWN PROCEDURES

- Δ Always turn off vibrators at the switch. This ensures that there is not an accidental vibrator turn-on when box is turned to ON position
- Δ Turn the Selector Switch to the OFF position
- Δ Unplug the M-Box plug from the portable Generator Source.

### NOTICE

The M-box converter is designed to run (2) individual 230v; 3phase concrete vibrators with 100 feet of extension cord on each unit. The box is designed to run up to 10.5 amps. The M-Box can be plugged into any 230v; 50/60 Hz receptacle of a 5,000-watt portable generator.

### ⚠ WARNING

Always shut off the vibrators at the vibrator switch instead of the X-box Switch. Controlling on/off switching at box may lead to unintended start of the vibrator units.

### ⚠ DANGER



DO NOT OPEN M-BOX ENCLOSURE. Electric shock can occur due to components being energized even AFTER being unplugged. Contact a qualified service technician or the manufacturer.

**NOTES**

---

---

---

---

---

---

---

---

---

---

---

---

---

---

---

---

---

---

---

---

---

---

---

---

---



## LIMITED WARRANTY, DISCLAIMER AND REMEDIES

---

Supplier warrants to Customer that the Services shall be provided in a workmanlike manner and that the Goods shall be free from defects in material and workmanship at the date of shipment from Supplier's facility. This warranty shall not run to any person other than Customer.

All claims under this warranty must be made in writing and delivered to Supplier prior to the expiration of one (1) year after the Goods have been delivered (or, if applicable, within one (1) year after the Services have been performed) or be forever barred. Supplier will repair or replace Goods or parts recognized and acknowledged by Supplier as being defective at the time of delivery without charge. However, Supplier will bill Customer for Goods and/or Services not covered by the warranty, including travel expenses incurred while performing warranty service calls. EQUIPMENT, COMPONENTS OR OTHER GOODS FURNISHED THAT ARE NOT MANUFACTURED BY SUPPLIER ARE ONLY COVERED TO THE EXTENT OF THE ORIGINAL MANUFACTURER'S WARRANTY, WHICH MAY VARY FROM THE ABOVE. Further, the above warranty shall not apply to any hardware or software that has been repaired or altered without Supplier's written permission by anyone other than Supplier's personnel. The foregoing states the sole and exclusive remedy for any breach of warranty or for any other claim based on any defect in, or nonperformance of, the Goods or Services, whether based upon contract, warranty, negligence, tort (including strict liability) or otherwise.

NO EXPRESS WARRANTIES AND NO IMPLIED WARRANTIES, WHETHER OF MERCHANTABILITY OR FITNESS FOR ANY PARTICULAR PURPOSE OR WEAR CAPACITY, OR OTHERWISE, SHALL APPLY TO THE GOODS AND SERVICES. SUPPLIER SPECIFICALLY DISCLAIMS AND EXCLUDES ALL OTHER EXPRESS AND IMPLIED WARRANTIES. NO WAIVER, ALTERATION, ADDITION OR MODIFICATION OF THE FOREGOING SHALL BE VALID UNLESS MADE IN WRITING AND SIGNED BY AN EXECUTIVE OFFICER OF SUPPLIER. IN NO EVENT WILL SUPPLIER BE LIABLE FOR ANY INCIDENTAL OR CONSEQUENTIAL DAMAGES.

### WHAT IS NOT COVERED

This Limited Warranty does not cover any damage, deterioration or malfunction resulting from normal wear or tear, or any alteration, modification, improper or unreasonable use or maintenance, misuse, abuse, accident, neglect, exposure to excess moisture, fire, improper packing and shipping (such claims must be presented to the carrier), lightning, power surges, or other acts of nature. This Limited Warranty does not cover any damage, deterioration or malfunction resulting from the installation or removal of this product from any installation, any unauthorized tampering with this product, any repairs attempted by anyone unauthorized by Minnich to make such repairs, or any other cause which does not relate directly to a defect in materials and/or workmanship of this product.

### WHAT IS COVERED

This limited warranty ("Limited Warranty") covers manufacturing defects in materials and workmanship of a product.

### WHO IS COVERED:

Only the original purchaser of this product is covered under this Limited Warranty. This Limited Warranty is not transferable to subsequent purchasers or owners of this product. The product must have been purchased directly from Minnich or from an authorized Minnich reseller.



**ORDER VIA INTERNET!**

---



Order Online:  
<https://www.minnich-mfg.com/login>



- View parts
- Order Parts
- Print specific information
- If you don't have a login give us a call.

**ORDER VIA PHONE!**

---



Contact us at:  
419-903-0010

**SCAN FOR HELPFUL VIDEOS!**

---



**WE ACCEPT THE FOLLOWING CARDS!**

---



**NON-DEALER AND INTERNATIONAL CUSTOMERS:**

---

Contact Minnich Manufacturing through the following number to locate a dealer near you.  
(419-903-0010)

**NOTICE**

All orders are treated as Standard Orders and will ship the same day if received prior to 3PM EST